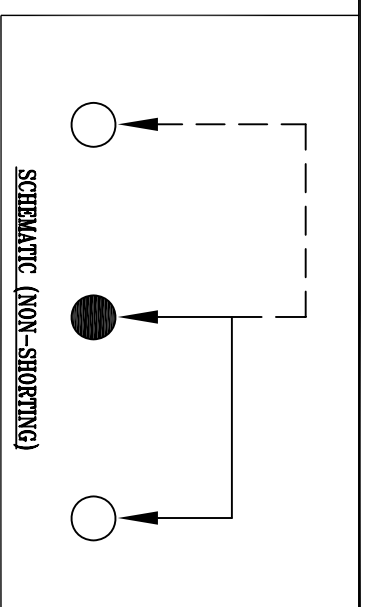
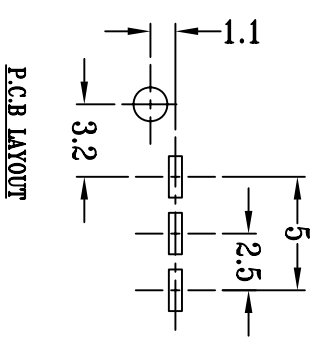
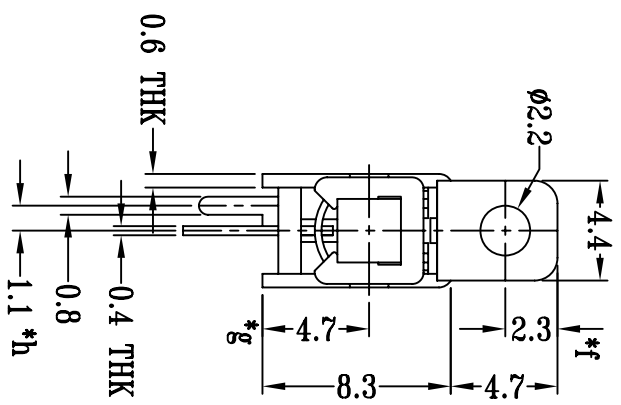
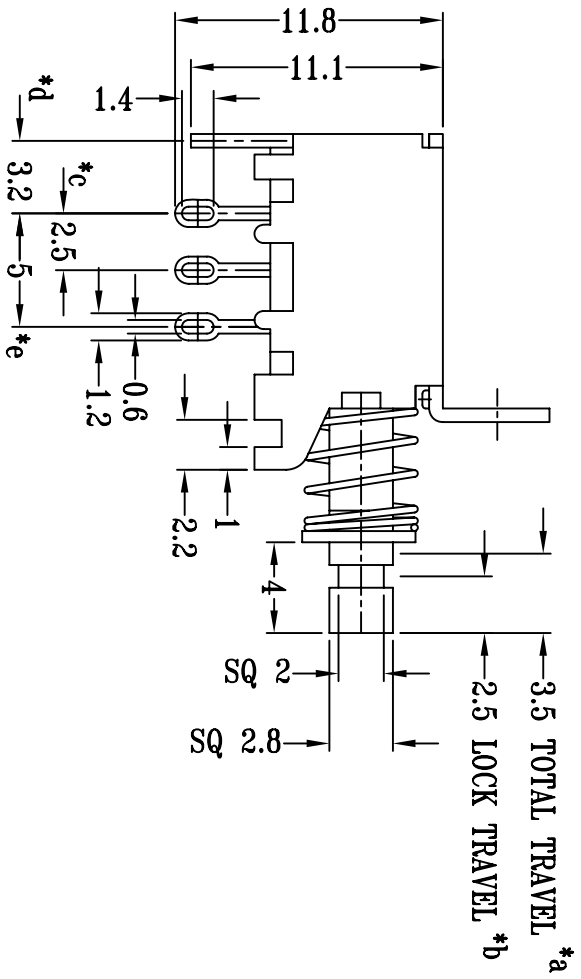
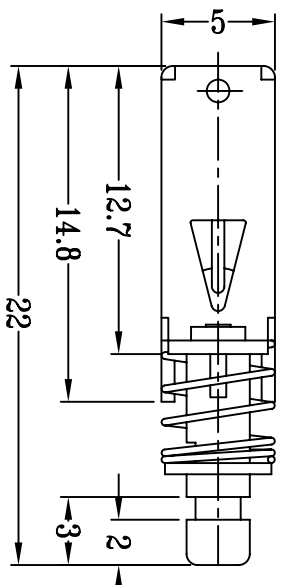


CAD FILE:



9	CONTACT (CLIP)	PBS	1	Ag CLAD
8	TERMINAL	BRASS STRIP	3	Ag PLATED OVER Ni PLATED
7	BASE	PHENOLIC RESIN	1	NATURAL
6	FRAME	STEEL STRIP	1	Ni PLATED
5	CAM STICK	PBS WIRE	1	NATURAL
4	SPRING PLATE	PBS STRIP	1	NATURAL
3	SPRING	STEEL WIRE	1	Ni PLATED
2	BLOCK	STEEL STRIP	1	Ni PLATED
1	Knob	PM	1	BLUE
NO.	PARTS	MATERIALS	Q'TY	FINISH

TOLERANCE UNLESS SPECIFIED
 WITHIN: 1.5±0.1mm
 OVER: 1.5±0.2mm

SHENZHEN XIEJIA ELECTRONICS CO.,LTD.

TITLE: PUSH SWITCH

MODEL: PS-12E10

SCALE: 3:1

UNIT: mm

DESCRIPTIONS OF REVISION

DRWG NO.: XJ-DR-PS12E10-00

APPD.

ALL MATERIALS MUST BE COMPLIANT TO ROHS

DWN. ZHOUYU 2002-12-8

CHK'D FANGYING 2002-12-8

APPD. KANGXIAN 2002-12-8

注:带*表示关键尺寸(8个)